

Series 2

DLT2-60

FEATURING A 22" BASKET ELEVATOR AND TOP MOUNTED JIB AND WINCH

DUR-A-LIFT®

CATEGORIES
C, D, & E
NOW AVAILABLE
TO MEET NEW
ANSI A92.2
STANDARDS



180°
BASKET
ROTATION

Options available for
double person baskets
in the DU and DP series

Experience working heights up to

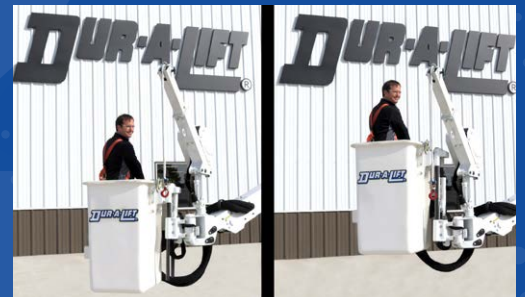
67 FEET

AND SIDE REACH TO 39' 2"



TOP MOUNTED JIB & WINCH

Allows the operator to rotate the jib to
work on either side of the rotating basket.



22" BASKET ELEVATOR

The hydraulically activated basket elevator
allows the operator to raise the basket 22"
without repositioning the booms or the jib.



sales@dur-a-lift.com
www.dur-a-lift.com

Dur-A-Lift Inc., P.O. Box 31, George, Iowa 51237
(877) 4-DURALIFT (877) 438-7254 | Fax: (712) 475-2809

DLT2-60

TELESCOPIC ARTICULATING PERSONNEL OR MATERIAL HANDLING AERIAL LIFT

SPECIFICATIONS

DLT2-60

Height to bottom of platform*	62'
Working height*	67'
Side reach	39' 2"
Stowed travel height	12'
Platform capacity (MH MODEL)	400#
Platform capacity using jib (DU MODEL)	400#
Platform capacity not using jib (DU MODEL)	550#
Platform capacity (DP MODEL)	600#
Approximate weight	5700#
Articulating arm travel	0 to 75
Main boom travel	-30 to 75
Extension Travel	148"

Minimum GVWR will change significantly depending on make of chassis and stabilizer option. Dur-A-Lift Inc. reserves the right to improve models and change specifications without notice or obligation. Dur-A-Lift equipment meets or exceeds all applicable ANSI Standards as of the date of manufacture.

*Maximum height achievable with addition of the optional 22" basket elevator.



STANDARD

- Proportional controls
- Lower override controls
- Engine start/stop from basket
- **Basket access from ground**
- Compensated upper boom
- Insulated models available in category C, D and E
- Hydraulic basket leveling
- **Continuous rotation**
- Joystick and lockout controls
- **180° basket rotator**

MH FEATURES

MATERIAL HANDLING

- **Up to 1000# top mounted jib and winch**
- Upper and lower winch control
- 400# basket capacity
- 24"x30" fiberglass basket

DP FEATURES

DUAL PERSON

- 600# basket capacity
- 24"x42" fiberglass basket

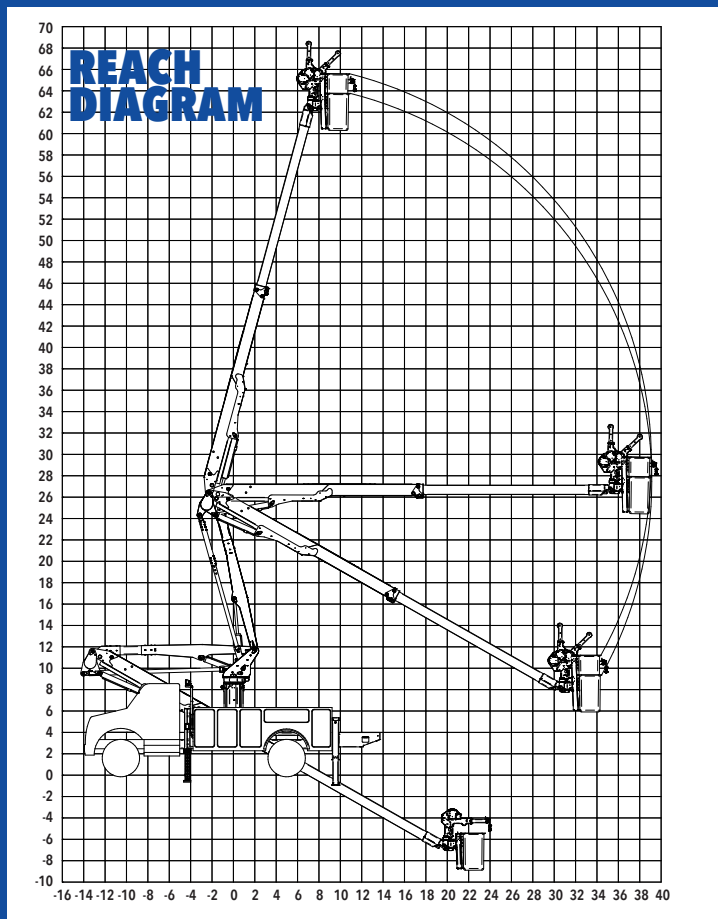
DU FEATURES

DUAL CONFIGURATION:
DUAL PERSON OR MATERIAL HANDLING

- **Up to 1000# top mounted jib and winch**
- 550# basket capacity when not using winch
- 400# basket capacity when using winch
- 24"x42" fiberglass basket

OPTIONS

- High electrical resistant controls **STANDARD ON CAT. C**
- Outriggers
- Basket liner for fiberglass baskets
- Fiberglass main and articulating booms
- Tool circuits
- D.C. backup system
- **22" basket elevator**
- **Aluminum basket**
- **Non-insulated version available DPM2S**
- 110 v outlet at basket **DPM2S**



This aerial lift is sold and serviced by:



sales@dur-a-lift.com
www.dur-a-lift.com

Dur-A-Lift Inc., P.O. Box 31, George, Iowa 51237
(877) 4-DURALIFT (877) 438-7254 | Fax: (712) 475-2809