

DVS-29

NON-INSULATED TELESCOPIC AERIAL LIFT SERVICE VAN

DUR-A-LIFT®



**Shown with optional walk-in basket.*



TELESCOPIC, NON-INSULATED



LOTS OF SECURE STORAGE OPTIONS

Keep all of your supplies safe and secure with the multiple storage compartments available on our standard bucket van package.



**Shown with the optional work station on wheels.*

sales@dur-a-lift.com
www.dur-a-lift.com

Dur-A-Lift Inc., P.O. Box 31, George, Iowa 51237
(877) 4-DURALIFT (877) 438-7254 | Fax: (712) 475-2809

DVS-29

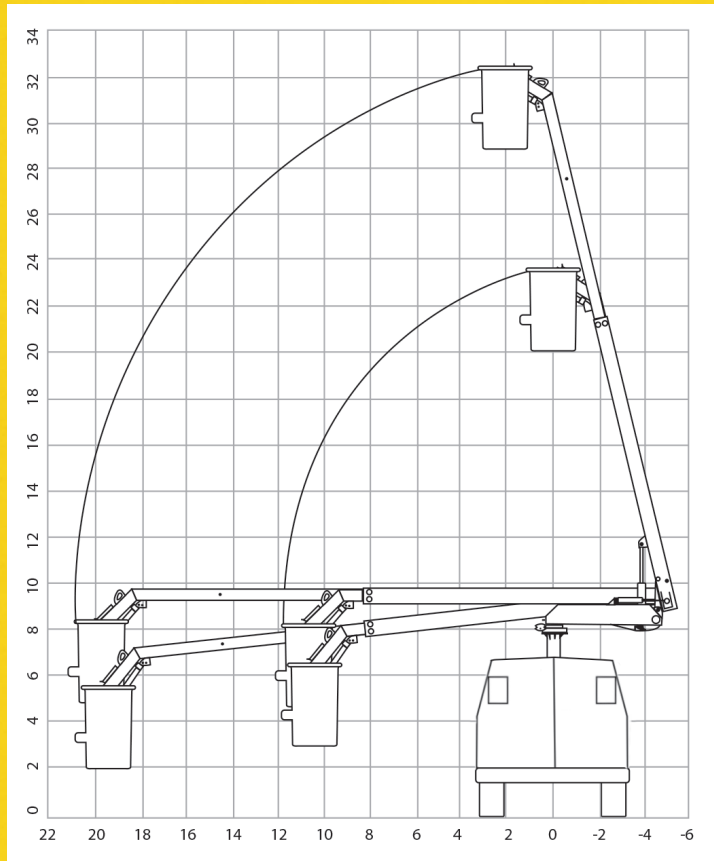
TELESCOPIC AERIAL LIFT SERVICE VAN

SPECIFICATIONS

Platform height	29'
Working height	34'
Side reach	21'
Boom travel	-5° + 80°
Basket capacity	350#
Stowed Height	10'1"
Extension Travel	9'

Minimum GVWR will change significantly depending on make of chassis and stabilizer option. Dur-A-Lift Inc. reserves the right to improve models and change specifications without notice or obligation. Dur-A-Lift equipment meets or exceeds all applicable ANSI Standards as of the date of manufacture.

REACH DIAGRAM



This aerial lift is sold and serviced by:



OPTIONAL WORK STATION ON WHEELS

TAKE YOUR OFFICE ON THE ROAD WITH YOU!



Features dual fold down work tables, movable bench seat, 110V outlet, 2400 to 3600 watt inverter, lights, and Coleman climate control with heat and A/C. Ask us for more information.

STANDARD FEATURES

- Adjustable wear blocks on main boom
- **110V outlet basket**
- Environmentally sealed toggle switches
- Greaseless bearings
- 370° non-continuous rotation
- Electric over hydraulic controls
- **Upper/lower controls with lower override**
- Maximum operating pressure of 2,100 PSI
- 5"x7" rectangular steel main boom
- 4"x6" rectangular steel extension boom

OPTIONS

- Hydraulic basket leveling with trim switch at basket
- **End hung basket**
- **Walk-in basket**
- Full function DC backup
- Lower remote controls
- Lower hydraulic basket stow/dump
- Lower start/stop
- Electric joystick
- Torsion bar
- Tail shelf
- Basket cover
- Tool tray
- Basket heater
- Fold down seat
- Splicers basket
- Battery power
- Fan belt clutch pump power
- All enclosed body storage
- **Workstation on wheels**



sales@dur-a-lift.com
www.dur-a-lift.com

Dur-A-Lift Inc., P.O. Box 31, George, Iowa 51237
(877) 4-DURALIFT (877) 438-7254 | Fax: (712) 475-2809