

Series 2

# DLT2-60

FEATURING A 22" BASKET ELEVATOR AND TOP MOUNTED JIB AND WINCH

# DUR-A-LIFT®

CATEGORIES  
C, D, & E  
NOW AVAILABLE  
TO MEET NEW  
ANSI A92.2  
STANDARDS

Experience working heights up to

# 67 FEET

AND SIDE REACH TO 39' 2"



**180°**  
BASKET  
ROTATION

Options available for  
**double person baskets**  
in the DU and DP series

## 22" BASKET ELEVATOR

The hydraulically activated basket elevator allows the operator to raise the basket 22" without repositioning the booms or the jib.



Dur-A-Lift, 2002 Kingbird Ave, PO Box 31, George, IA 51237  
www.dur-a-lift.com | sales@dur-a-lift.com | 1-877-4DURALIFT

# DLT2-60

TELESCOPIC ARTICULATING PERSONNEL OR MATERIAL HANDLING AERIAL LIFT

## SPECIFICATIONS

DLT2-60

Height to bottom of platform*	62'
Working height*	67'
Side reach	39' 2"
Stowed travel height	12'
Platform capacity (MH MODEL)	400#
Platform capacity using jib (DU MODEL)	400#
Platform capacity not using jib (DU MODEL)	550#
Platform capacity (DP MODEL)	600#
Approximate weight	5950#
Articulating arm travel	0 to 91
Main boom travel	-26 to 75
Extension Travel	134"

Minimum GVWR will change significantly depending on make of chassis and stabilizer option. Dur-A-Lift Inc. reserves the right to improve models and change specifications without notice or obligation. Dur-A-Lift equipment meets or exceeds all applicable ANSI Standards as of the date of manufacture.

\*Maximum height achievable with addition of the optional 22" basket elevator.



Top mounted jib and winch allows the operator to rotate the jib to work on either side of the rotating basket.

## STANDARD

- Proportional controls
- Lower override controls
- Engine start/stop from basket
- **Basket access from ground**
- Compensated upper boom
- Insulated models available in category C, D and E
- Hydraulic basket leveling
- **Continuous rotation**
- Joystick and lockout controls
- **180° basket rotator**

## MH FEATURES

MATERIAL HANDLING

- **Up to 1000# top mounted jib and winch**
- Upper and lower winch control
- 400# basket capacity
- 24"x30" fiberglass basket

## DP FEATURES

DUAL PERSON

- 600# basket capacity
- 24"x42" fiberglass basket

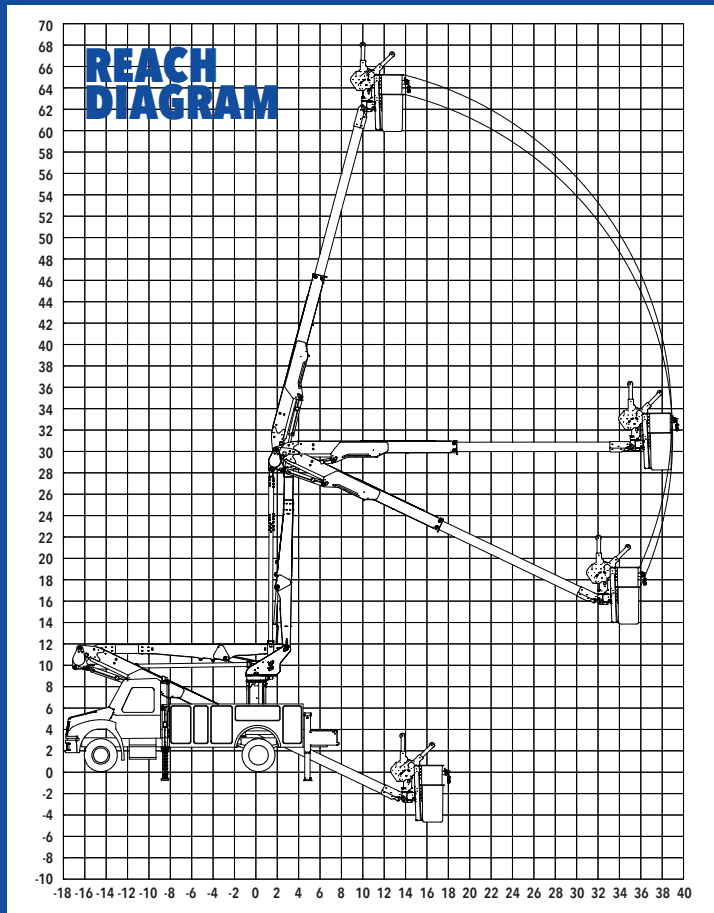
## DU FEATURES

DUAL CONFIGURATION:  
DUAL PERSON OR MATERIAL HANDLING

- **Up to 1000# top mounted jib and winch**
- 550# basket capacity when not using winch
- 400# basket capacity when using winch
- 24"x42" fiberglass basket

## OPTIONS

- High electrical resistant controls **STANDARD ON CAT. C**
- Outriggers
- Basket liner for fiberglass baskets
- Fiberglass main and articulating booms
- Tool circuits
- D.C. backup system
- **22" basket elevator**
- **Aluminum basket**
- **Non-insulated version available DLT2S**
- 110 v outlet at basket **DLT2S**



This aerial lift is sold and serviced by:



Dur-A-Lift, 2002 Kingbird Ave, PO Box 31, George, IA 51237  
 www.dur-a-lift.com | sales@dur-a-lift.com | 1-877-4DURALIFT