

DUR-A-LIFT®

DPM2 SERIES

TELESCOPIC ARTICULATING
MATERIAL HANDLING OR PERSONNEL
TOP-MOUNTED JIB AND WINCH!



DPM2-52DU PICTURED

SPECIFICATIONS

	DPM2-52	DPM2-47	DPM2-40	DPM2-36	DPM2-32**
WORKING HEIGHT*	59'	54'	47'	43'	39'
SIDE REACH	31'6"	31'6"	31'6"	27'6"	25'4"
APPROX. STOWED TRAVEL HEIGHT	11'8"	10'5"	10'6"	10'6"	10'8"
HEIGHT TO BOTTOM OF PLATFORM*	54'	49'	42'	38'	34'
BASKET CAPACITY (MH, DU)	400#	400#	400#	400#	400#
BASKET CAPACITY NOT USING JIB (DU)	550#	550#	550#	550#	550#
BASKET CAPACITY (DP)	600#	600#	600#	600#	600#
APPROX. LIFT WEIGHT	4400#	4300#	3900#	3700#	3300#
ARTICULATING ARM TRAVEL	0° to 75°	0° to 75°	0° to 75°	0° to 75°	-
MAIN BOOM TRAVEL	-30° to 75°	-30° to 75°	-30° to 75°	-30° to 75°	-15° to 80°
EXTENSION TRAVEL	120"	120"	120"	96"	120"

Dur-A-Lift Inc. reserves the right to improve models and change specifications without notice or obligation. Dur-A-Lift equipment meets or exceeds all applicable ANSI Standards as of the date of manufacture.

*Maximum height achievable with addition of the optional 22" basket elevator.
**Telescopic aerial lift

WORKING HEIGHT UP TO 59'; SIDE REACH TO 31'6"

MATERIAL HANDLING OR DOUBLE-PERSON

180-DEGREE BASKET ROTATOR

BASKET ELEVATOR OPTION

TOP-MOUNTED JIB LIFTS UP TO 1000#

INSULATED (DPM2); NON-INSULATED (DPM2S)



BASKET ELEVATOR

The optional basket elevator allows the operator to raise the basket without repositioning the boom or the jib.

WE SPEAK BUCKET TRUCK

DUR-A-LIFT.COM/GUIDE

BROWSE ALL MODEL OPTIONS ONLINE!



DPM2 SERIES

STANDARD

Proportional controls; lower override controls; engine start/stop from basket; basket access from ground; compensated upper boom; hydraulic basket leveling; rotating basket; continuous rotation; joystick and lockout controls; 180° basket rotator

BASKET CONFIGURATIONS

MH BASKET: Single-person, material handling; top-mounted jib and winch lifts up to 1000#; upper and lower winch control; 400# basket capacity; 24" X 30" fiberglass or aluminum basket

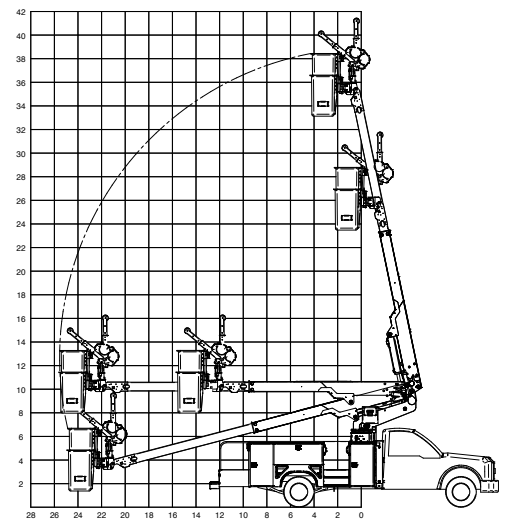
DP BASKET: Double-person, personnel; 600# basket capacity; 24" X 42" fiberglass or aluminum basket

DU BASKET: Dual configuration; double-person, personnel or single-person, material handling; top-mounted jib and winch lifts up to 1000#; 550# basket capacity when not using winch; 400# basket capacity when using winch; 24" X 42" fiberglass or aluminum basket



MH BASKET CONFIGURATION

REACH DIAGRAM DPM2-32



CHASSIS REQUIREMENT, MIN.: 19,000 GVWR
CHASSIS CAB TO AXLE REQUIREMENT, MIN.: 84"

OPTIONAL

22" basket elevator; high electrical resistant controls; outriggers; basket liner for fiberglass baskets; fiberglass main and articulating booms; tool circuits; D.C. backup system; non-insulated version available (DPM2S); 110 v outlet at basket (DPM2S only)

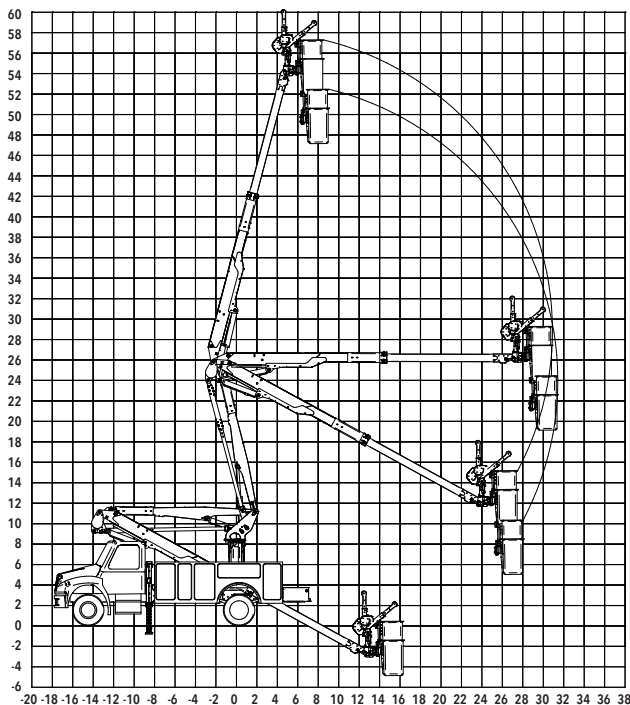
INSULATED OR NON-INSULATED

Available in insulated (Cat. C or D) or non-insulated formats. Full pressure controls.

Insulated: DPM2 **Non-insulated:** DPM2S

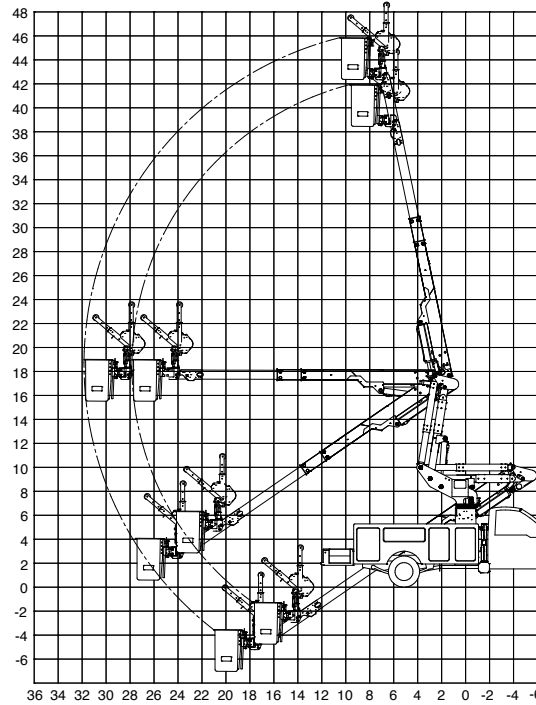


REACH DIAGRAMS DPM2-47/52



CHASSIS REQUIREMENT, MIN.: 19,500 GVWR (DPM2-47); 22,000 GVWR (DPM2-52)
CHASSIS CAB TO AXLE REQUIREMENT, MIN.: 84" (DPM2-47); 94" (DPM2-52)

REACH DIAGRAMS DPM2-36/40



CHASSIS REQUIREMENT, MIN.: 19,500 GVWR
CHASSIS CAB TO AXLE REQUIREMENT, MIN.: 60" (DPM2-36); 84" (DPM2-40)

JIB & WINCH

The top-mounted jib and winch (DU, MH baskets) allows the operator to rotate the jib on either side of the rotating basket.



DUR-A-LIFT, INC., 2002 KINGBIRD AVENUE, PO BOX 31, GEORGE, IOWA 51237
1-877-438-7254 | SALES@DUR-A-LIFT.COM | DUR-A-LIFT.COM