

DVS-29

Telescopic, non-insulated bucket van

DUR-A-LIFT®



DVS-29 AERIAL LIFT VAN

WWW.DUR-A-LIFT.COM

SPECIFICATIONS

	DVS-29
WORKING HEIGHT	34'
SIDE REACH	21'
APPROX. STOWED TRAVEL HEIGHT	10'1"
HEIGHT TO BOTTOM OF PLATFORM	29'
BASKET CAPACITY	350#
APPROX. LIFT WEIGHT	2000#
BOOM TRAVEL	-5° to 80°
EXTENSION TRAVEL	108"

Dur-A-Lift Inc. reserves the right to improve models and change specifications without notice or obligation. Dur-A-Lift equipment meets or exceeds all applicable ANSI Standards as of the date of manufacture.

- NON-INSULATED, TELESCOPIC BUCKET VAN
- WORKING HEIGHT UP TO 34'; SIDE REACH TO 21'
- SINGLE-PERSON FIBERGLASS BASKET
- SPLICING LAB AND WALK-IN BASKET OPTIONS
- TONS OF EXTERIOR AND INTERIOR STORAGE OPTIONS



ASK ABOUT UPGRADING TO THE WORKSTATION ON WHEELS OPTION

DUR-A-LIFT®
WE SPEAK BUCKET TRUCK

DVS-29

Telescopic, non-insulated bucket van

DUR-A-LIFT
WE SPEAK BUCKET TRUCK



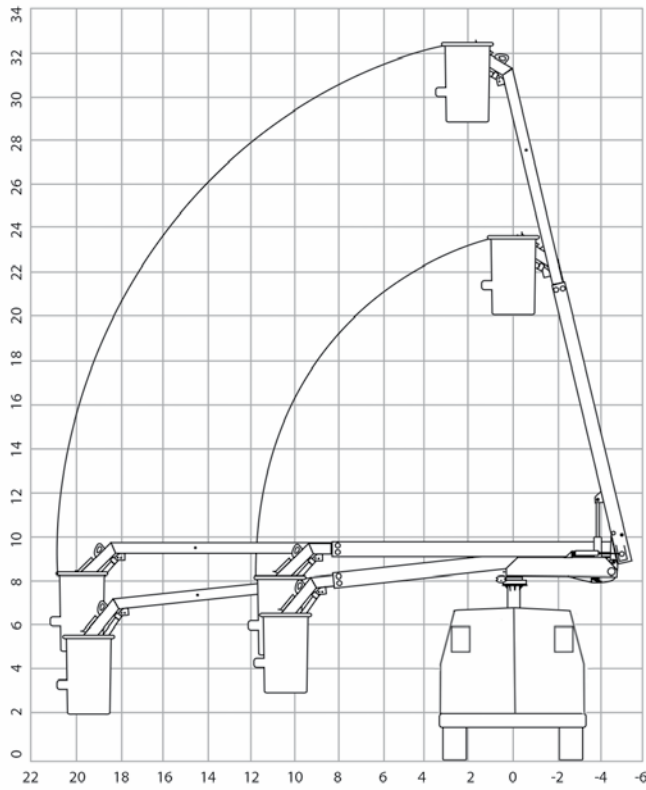
**OPTIONAL
WORK STATION
ON WHEELS**
TAKE YOUR OFFICE
ON THE ROAD WITH YOU!



Features dual fold down work tables, movable bench seat, 110V outlet, 2400 to 3600 watt inverter, lights, and Coleman climate control with heat and A/C.



REACH DIAGRAM



CHASSIS REQUIREMENT, MIN.: 9,600 GVWR
FRONT AXLE REQUIREMENT, MIN.: 3,900 POUNDS

STANDARD

Adjustable wear blocks on main boom; 110V outlet basket; environmentally sealed toggle switches; greaseless bearings; 370° non-continuous rotation; electric over hydraulic controls; upper/lower controls with lower override; maximum operating pressure of 2,100 PSI; 5"x7" rectangular steel main boom; 4"x6" rectangular steel extension boom

OPTIONAL

Hydraulic basket leveling with trim switch at basket; end-hung basket; walk-in basket; full function DC backup; lower remote controls; lower hydraulic basket stow/dump; lower start/stop; electric joystick; torsion bar; tail shelf; basket cover; tool tray; basket heater; fold down seat; splicers basket; battery power; fan belt clutch pump power; all enclosed body storage; workstation on wheels



BUILT FOR YOU - ASK ABOUT ALL AVAILABLE FEATURES AND OPTIONS.



++
++
++



READ MORE

WWW.DUR-A-LIFT.COM

DUR-A-LIFT, INC., 2002 KINGBIRD AVENUE, PO BOX 31, GEORGE, IOWA 51237
WWW.DUR-A-LIFT.COM | 1-877-4DURALIFT | SALES@DUR-A-LIFT.COM